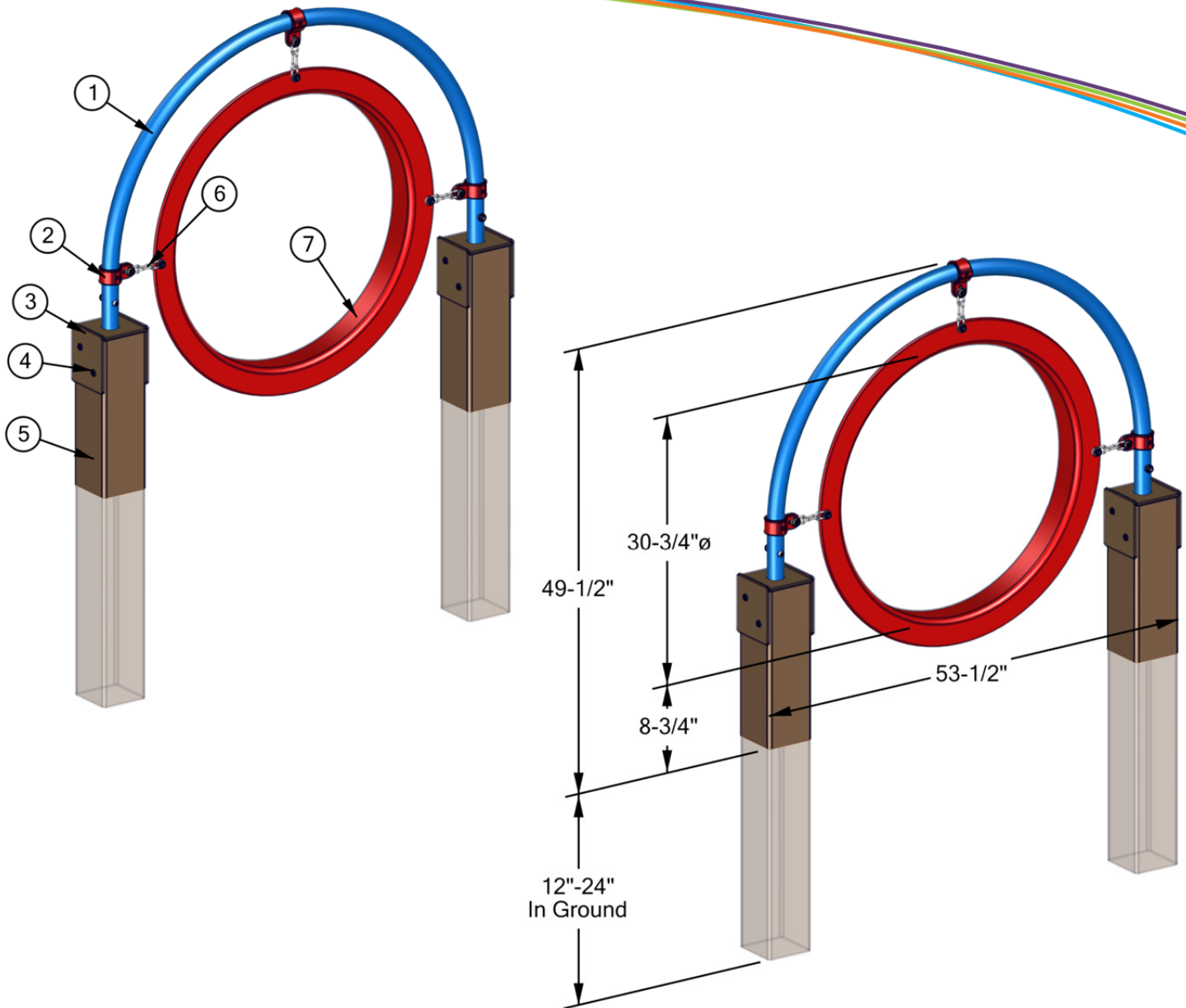


## R3 Dog Park - Through the Target Model: RECF0006XX

Age Group: All Ages



Total Weight: 112 lbs (50.8 kg)

ITEM	QTY	DESCRIPTION	MATERIAL
1	1	2"ø Support Arch	Powder Coated Steel
2	3	Pipe Fitting	Powder Coated Steel
3	2	Post attachment	Powder Coated Steel
4	35	Assembly Hardware	Stainless Steel
5	2	6" x 6" Support Post	Recycled Plastic
6	3	Link Chain Support	Stainless Steel
7	1	Flange Ring	LDPE