



# B6WBCLASSCASINOSM

6' CLASSIC CASINO STYLE  
BENCH WITH BACK  
SURFACE MOUNT DESIGN

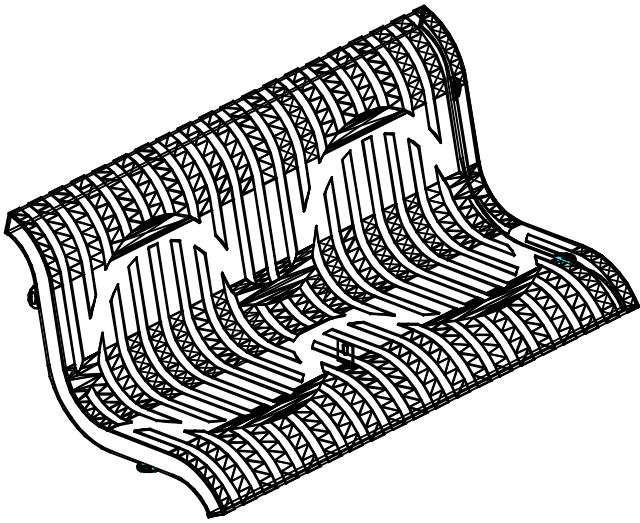
WEBCOAT PRODUCTS  
P.O. BOX 3160  
McALESTER, OKLAHOMA 74501  
1-800-505-5101  
FAX: (918)426-5924  
E-MAIL: WEBCOAT@WEBCOAT.COM

Please take the time to locate and identify each part. Assemble the units on a smooth flat surface. It is also helpful to lay the tops and seats on cardboard or a drop cloth to prevent scratching of the surface during assembly. All parts have been pre-cut and pre-drilled for ease of assembly. All holes are slotted to allow for easy assembly and for final levelling of tops and seats to frames. Fully assemble all parts without totally tightening nuts and bolts. After all assembled go back and retighten nuts to bolts. DO NOT OVER TIGHTEN NUTS TO BOLTS. Over tightened nuts can crack the plastisol coating. All the necessary quantities of parts required are listed in this assembly instructions.

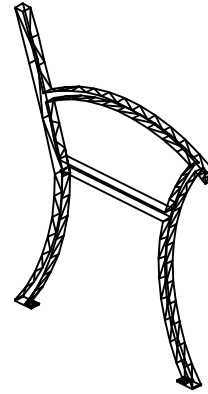
DO NOT BEGIN ASSEMBLY UNTIL YOU HAVE READ THESE INSTRUCTIONS AND ARE FAMILIAR WITH THE PARTS.



# PARTS IDENTIFICATION



(A) 6' CLASSIC BENCH



(B) BENCH FRAME

## PARTS LIST

ITEM	PART#	DESCRIPTION	QTY.
A	S6CLASSIC	6' CLASSIC SEAT	1
B	FBWBCASINO	CASINO FRAME W/BACK	2

ITEM	HARDWARE DESCRIPTION	QTY.
HW1	5/16" X 18 NYL LOCKNUTS	4
HW2	5/16" X 18GA CAP BOLTS	4
HW3	5/16" FLAT WASHERS	8
HW4	BOLT GUARDS	4

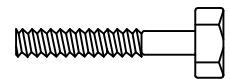
### ASSEMBLY TOOLS REQUIRED

- 2- 1/2" WRENCHES
- 2- 3/4" WRENCHES

## HARDWARE IDENTIFICATION



(HW1) 5/16" X 18  
NYL LOCKNUTS



(HW2) 5/16" X 18  
GAUGE CAP BOLTS



(HW3) 5/16"  
FLAT WASHERS



(HW4) BOLT  
GUARDS

# ASSEMBLY PROCEDURES

## STEP 1

SET FRAME ON LEVEL SURFACE.

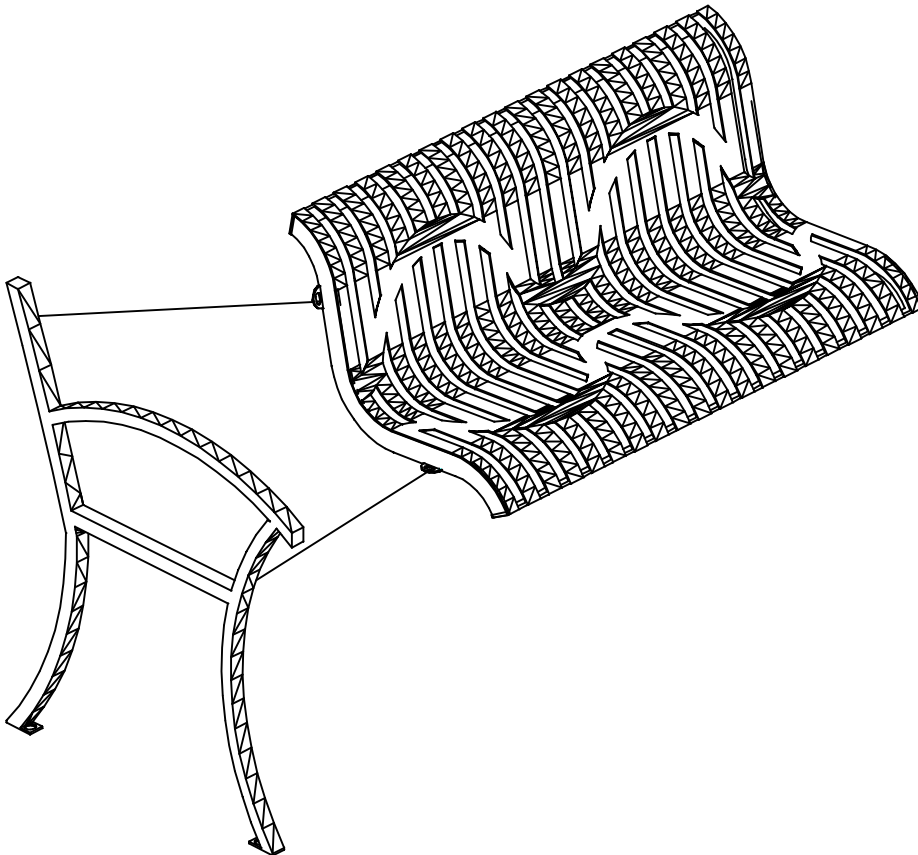
## STEP 2

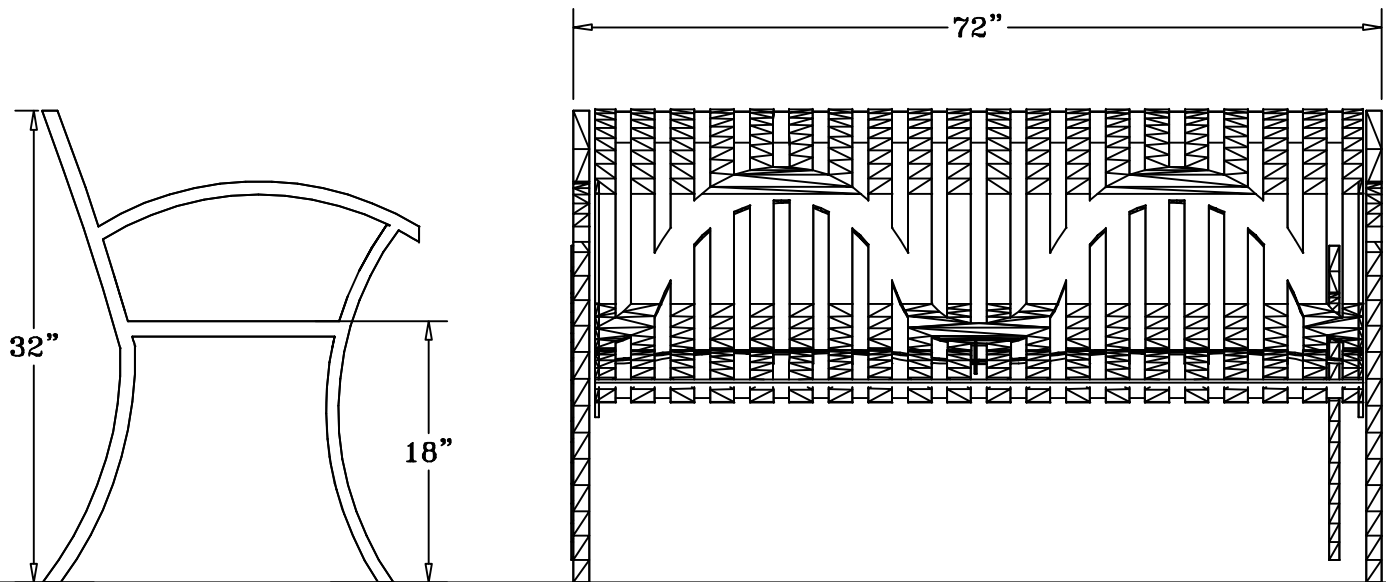
MOUNT BENCH TO FRAME BY LINING UP THE TWO BOLTS WELDED ON THE FRAME TO THE TWO HOLES ON THE SEAT. Hand tighten only at this time.

## STEP 3

NOW THAT ALL PARTS ARE ASSEMBLED, SQUARE AND ALIGN ALL PARTS OF THE UNIT THEN TIGHTEN ALL NUTS ON ALL BOLTS SECURELY.

**DO NOT OVER TIGHTEN AS THIS WILL CAUSE THE PLASTISOL COATING TO CRACK.**





## SPECIFICATIONS

6' POLY VINYL COATED CLASSIC CASINO STYLE BENCH WITH BACK.  
FRAME IS SURFACE MOUNT DESIGN.

COATED WITH A 1/8" TO 1/4" THICK PLASTISOL ULTRAVIOLET STABILIZED VINYL COATING  
FUSED AND BAKED TO A 90% GLOSS.

SEAT HEIGHT IS 18" APPROXIMATELY.  
TOTAL OVERALL DIMENSIONS ARE 50" X 26" APPROXIMATELY.

SEAT IS MADE FROM 11 GA. STEEL.

FRAME IS MADE OF 1 1/2" SQ. 12 GA. GALVANIZED TUBING. FINISHED WITH A  
BAKED ON POLYESTER POWDER COAT FINISH.

ALL HARDWARE IS NON-CORROSIVE.  
WEIGHT FOR THE B6WBCLASSCASINO IS 135 LBS.

## MAINTENANCE

To maintain luster it is recommended to wash, rinse, and dry the units after prolonged use.  
Check for loose bolts and nuts and tighten as needed. Contact the factory for genuine  
Webcoat part replacements if needed.